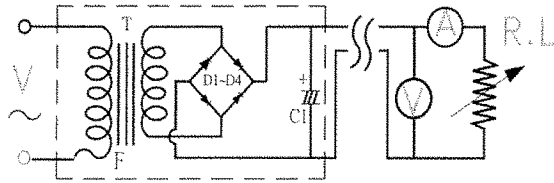
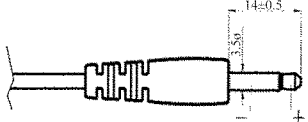
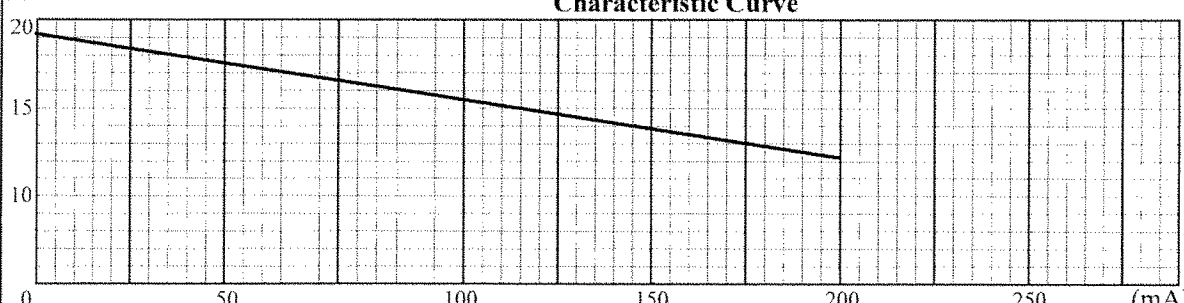
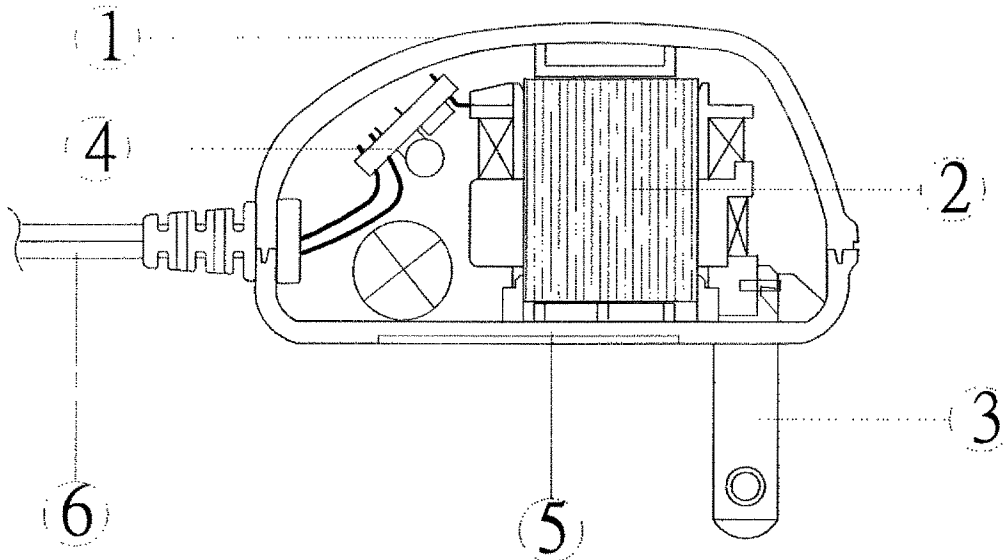


### TEST DATA

ITEM	SPEC	SAMPLE									
		1	2	3	4	5	6	7	8	9	10
Primary Exciting Current Input 120 VAC ,60 Hz	45 mA max	21	23	21							
Primary Load Current Input 120 VAC ,60 Hz	65 mA max	46	48	47							
Secondary No Load DC Voltage	19V ±5%	19.1	19.17	19.2							
Secondary DC Voltage Load 200 mA	12V ±5%	11.9	11.94	11.92							
Secondary Voltage Load mA	V ± %										
Secondary Voltage Load mA	V ± %										
Secondary Voltage Load mA	V ± %										
Secondary Voltage Load mA	V ± %										
Ripple Voltage Load 200 mA (PK-PK)	1.5V max	0.8	0.8	0.8							
Hi-Pot Test 3 mA for 3Sec.	Pri. to Sec.	2K VAC	OK	OK	OK						
	Pri. to Core	2K VAC	OK	OK	OK						
	Sec. to Core	1.5K VAC	OK	OK	OK						
Temperature Rise: 70°C MAX measured By Resistance Method (Primary Winding)											
Core Film: SPLIT Core : EI-28											
Testing Circuit:						Output Plug Drawing: PLUG:3.5*14mm 					
Output conductor length: 6FT min (AWG#24 )											
Input conductor length: FT min (AWG# )											
(V) <b>Characteristic Curve</b> 											

## AC Adaptor Specifications

### Internal Construction Drawing and Parts List (Unit: Set or EA)

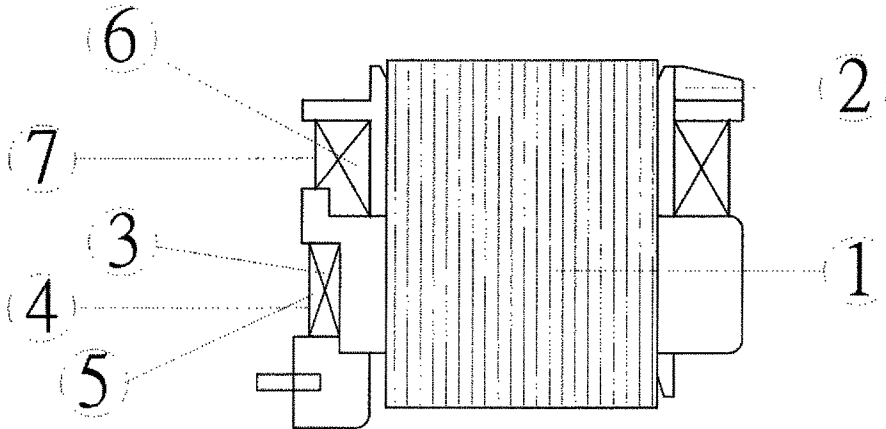


Part Name	Specification	Q'ty
1. Enclosure	Noryl SE1 94V-1 105°C	
	Noryl SE-100 94V-1 95°C	
	Noryl PX1700 94V-1 95°C	
	940(f1) 94V-0 130°C	
2. Transformer	EI-28	1
3. Blade	Ni plated brass	2
<b>4. Print Wiring Board Assembly</b>		
Print Wiring Board	04V0 94V-0 130°C	1
	11 94V-0 105°C	
	13 94V-0 130°C	
	BF-3 94V-0 130°C	
Diode	1A 400-700V IN4004-1N4007	4
Capacitor	1000uf 25V 85°C	1
5. Name Plate	Polyester Film	1
6. Output Cord	AWG#24 6FT min	1



## AC Adaptor Specifications

### Construction Drawing and Details of Transformer

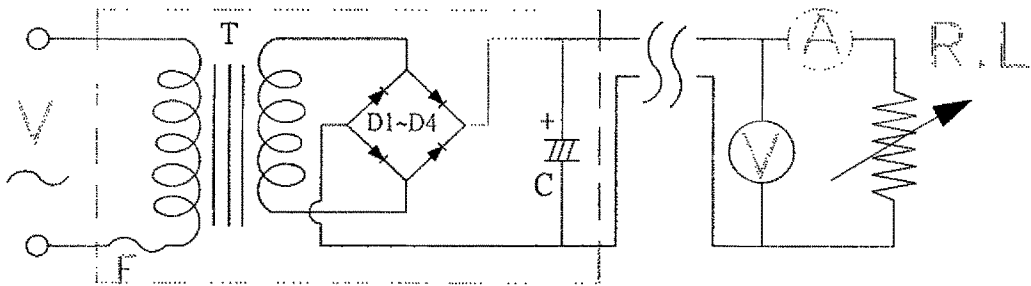


Part Name	Material & Type	Spec or Q'ty
1. Core	Silicon Steel	0.5mm
2. Bobbin	Polybutylene Terephthalate 1403G6	0.71mm
	PETP(QMFZ2) FR-530, FR530L	
	Nylon 101L	
3. Primary Winding	Polyurethane Enameled Copper wire	mm turn ohm
4. Primary Outer Winding	Mylar Tape	0.025mmx2T
5. Thermal Fuse	M30 2A 125°C 250V AC	1PC
6. Secondary Winding	Polyurethane Enameled Copper Wire	mm turn ohm
7. Secondary Outer Winding	Mylar Tape	0.025mmx2T

## AC Adaptor Specifications

---

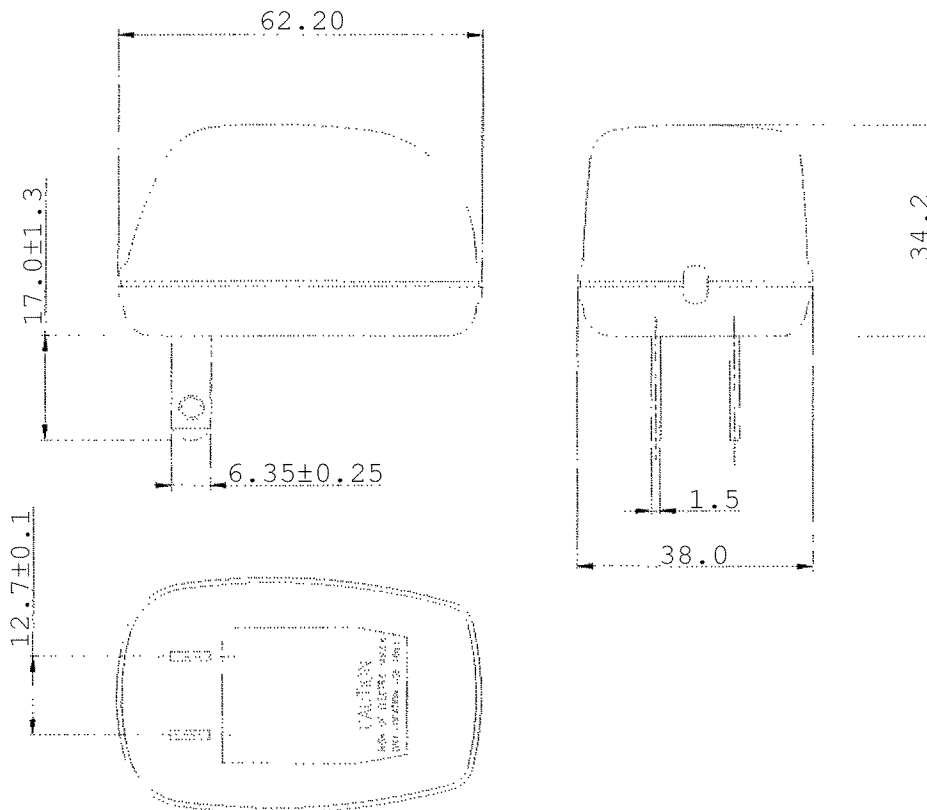
### Circuit Diagram



Symbol	Part Name	Note
T	Transformer	EI-28
D(1-4)	Diode	1A 400-700V IN4004-1N4007
F	Thermal	125°C 2A 250V
C1	Capacitor	1000uF 25V 85°C

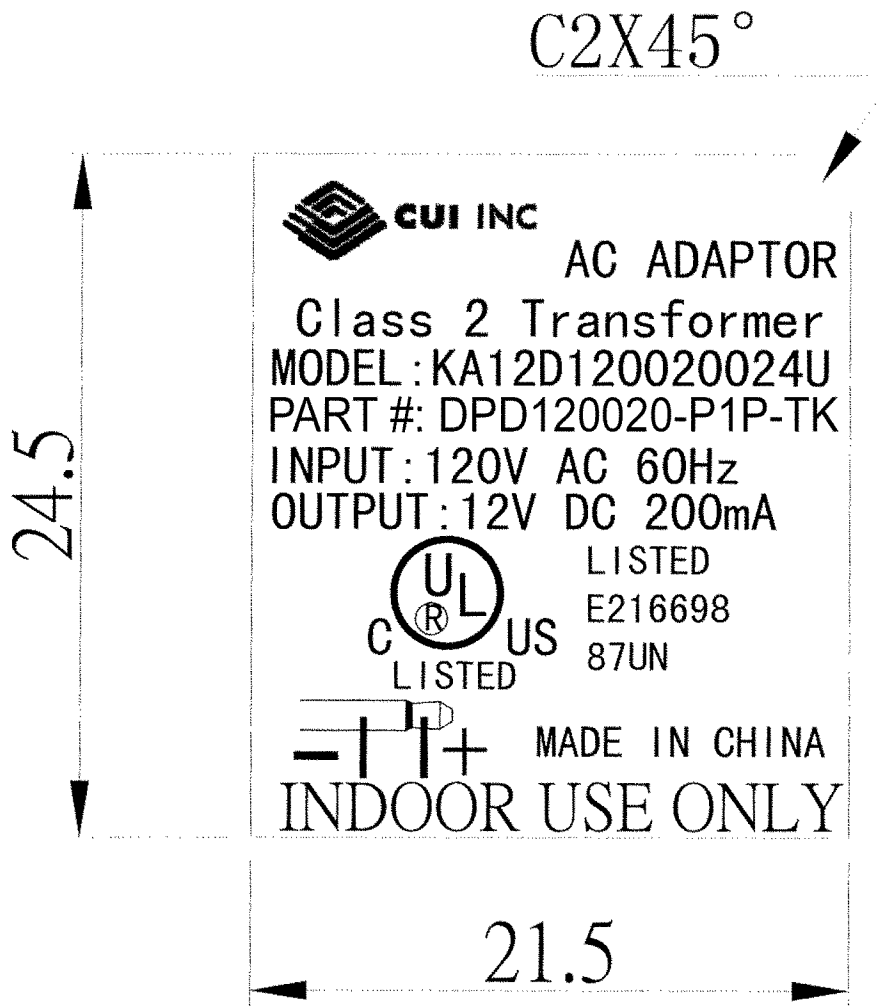
## AC Adaptor Specifications

### Appearance Drawing (Unit:mm)



## AC Adaptor Specifications

### Dimension of Nameplate (Unit:mm)



Material: Polyester Film

T: 0.25mm